

## IMPORTANT! READ AND FOLLOW THESE INSTRUCTIONS CAREFULLY AND KEEP FOR FUTURE REFERENCE.

If you sell or give away this product, make sure you give this instruction to the new owner.

### ! WARNING

**WARNING** — Incorrect installation can be dangerous.

**WARNING** — Do not use the safety barrier if any components are damaged or missing.

**WARNING** — The safety barrier must not be fitted across windows.

This safety gate is for domestic use only.

This safety gate has been designed for use with children up to 24 months of age.

The surfaces that the gate is to be fixed to must be suitable for the purpose and must be structurally sound.

Never use with a child able to climb over or dislodge/open the gate.

Always check that the gate is securely closed.

This gate has a manual close system.

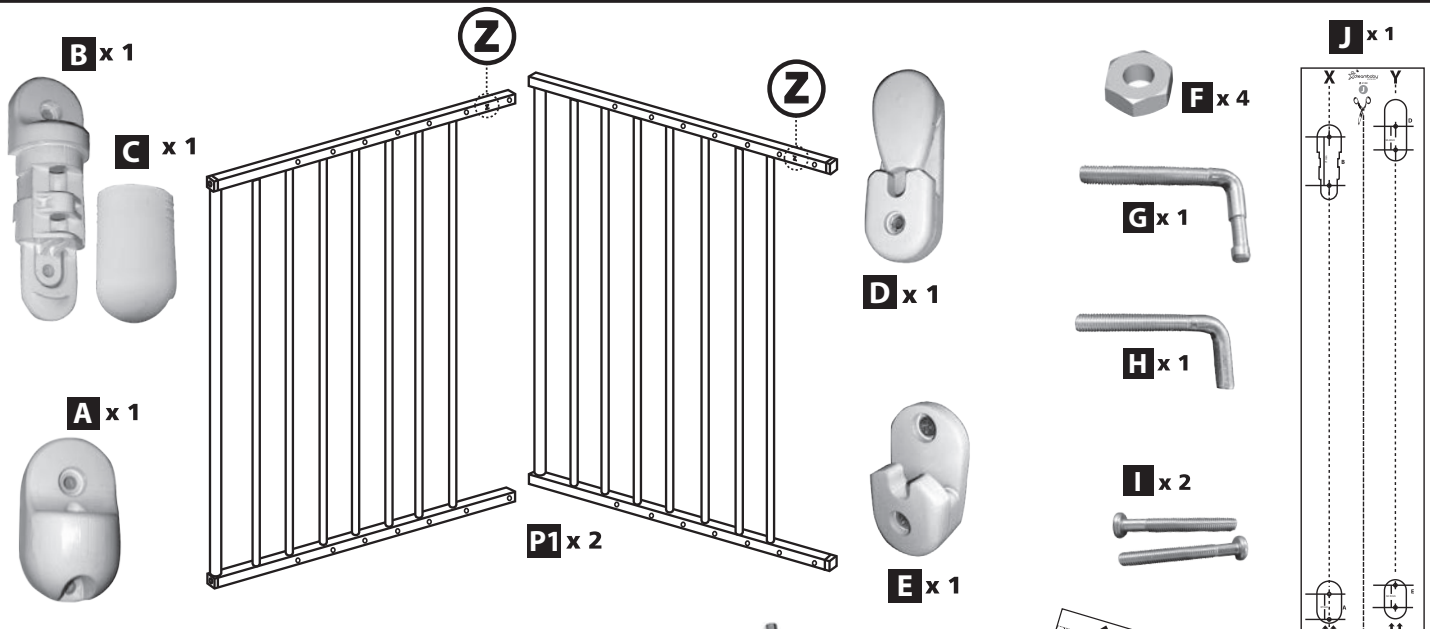
This gate is intended for indoor use and is not to be exposed to outdoor elements.

Install this gate away from heaters and other sources of heat.

This product does not replace proper adult supervision and will not necessarily prevent all accidents.

NEVER leave child unattended.

### PARTS LIST

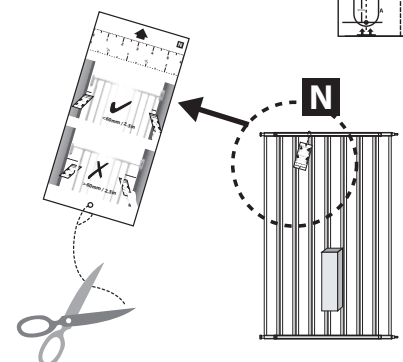


### ! WARNING:

This package contains small parts and sharp points in an unassembled state. Keep out of reach of children. Adult assembly required.

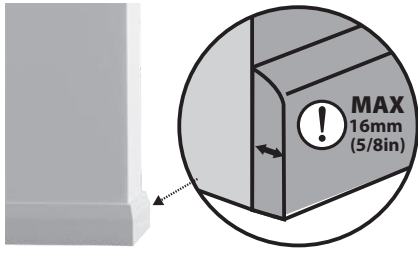


**K** x 8  
Wood Screws  
Wood use only  
For Brick or Masonry use the appropriate fittings, screws and plugs for your wall. (not included)

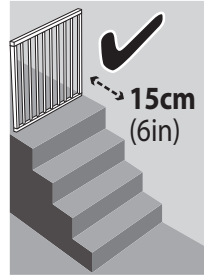


### Skirting boards (baseboards)

ONLY suitable to be mounted onto skirting boards / base boards that are a maximum thickness of 16mm (5/8in)

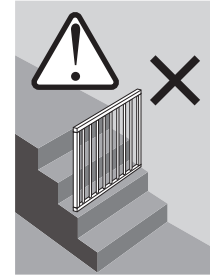
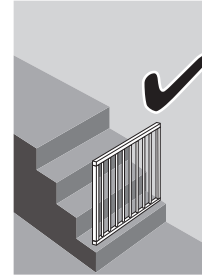


### TOP OF STAIRS



If the safety barrier is used at the top of stairs, it should not be positioned below the top level. At the top of landing, position the gate 15cm (6in) away from the top step.

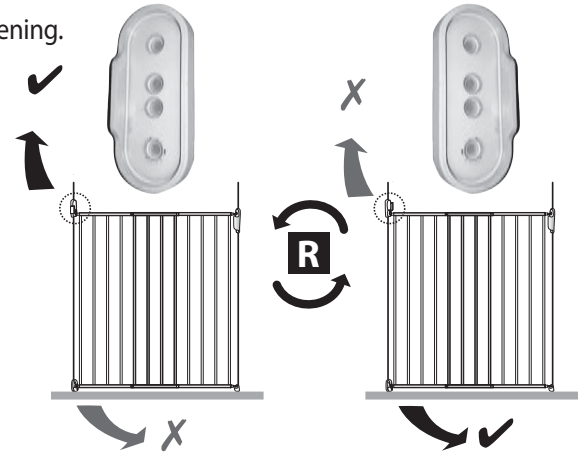
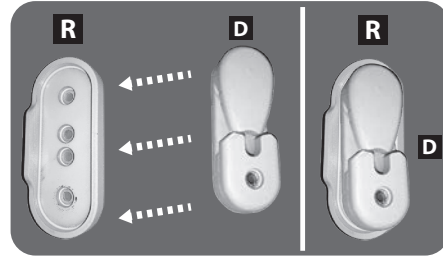
### BOTTOM OF STAIRS



If the safety barrier is used at the bottom of the stairs, it should be positioned at the front of the lowest tread possible.



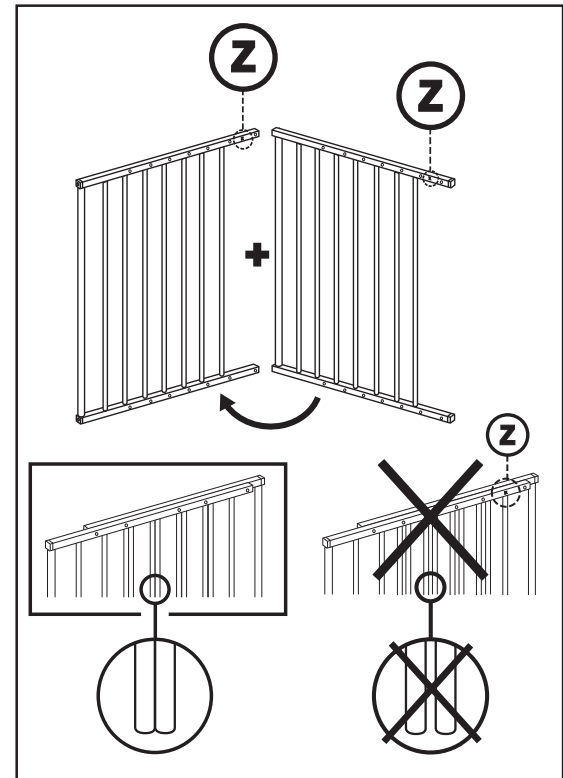
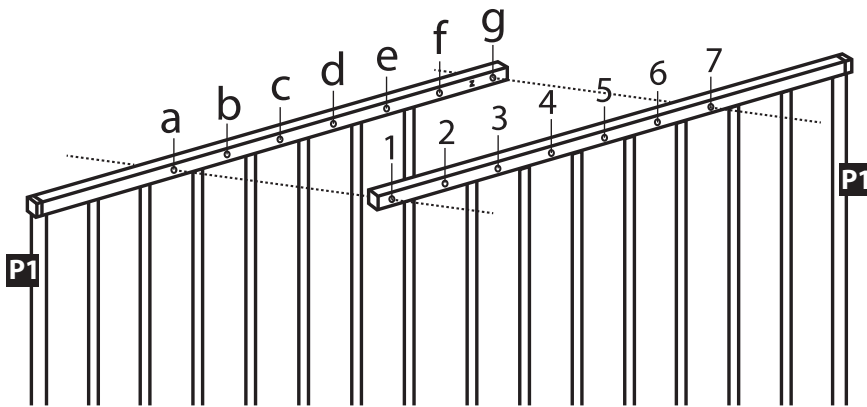
Use One-Way Stopper (R) to set direction of gate opening.



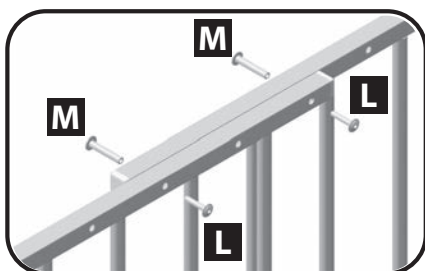
## INSTALLATION

1

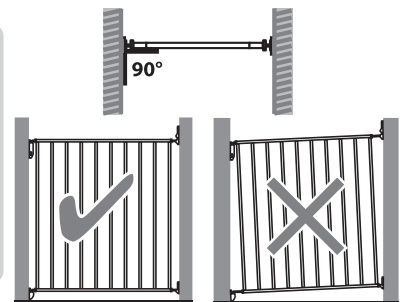
		min.	max.
3 a	7 e	68cm/26.75in	73cm/28.75in
2 a	7 f	73cm/28.75in	80cm/31.5in
1 a	7 g	80cm/31.5in	87cm/34.25in
1 b	6 g	87cm/34.25in	93cm/36.5in
1 c	5 g	93cm/36.5in	100cm/39.25in
1 d	4 g	100cm/39.25in	106cm/41.75in
1 e	3 g	106cm/41.75in	112cm/44in



L x 4 M x 4



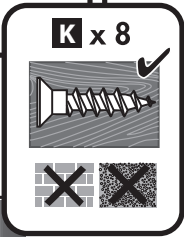
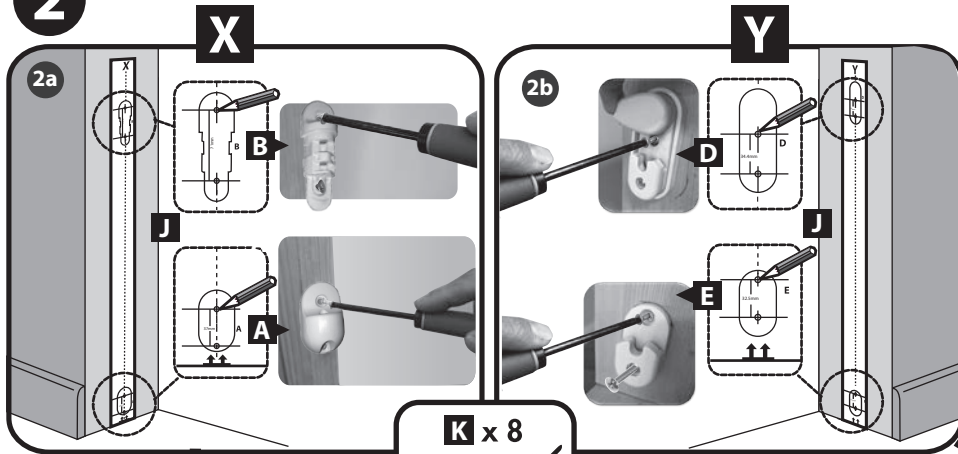
⚠ Ensure the surface you mount the gate to is structurally sound such as solid timber, brick or masonry. For plaster/gyprock surface, locate the timber beam or stud behind and mount in this location (mounting on plaster/gyprock alone is not strong enough and not safe). Do not mount to glass.



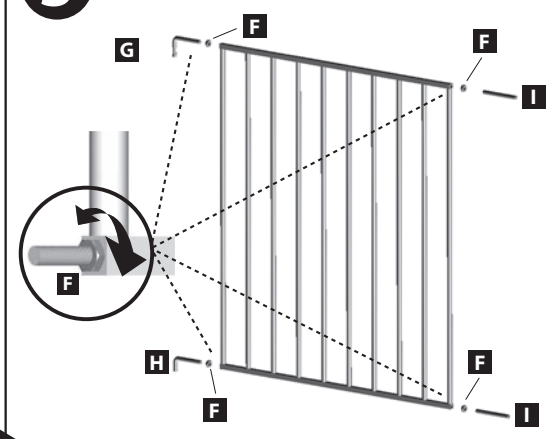
2

# INSTALLATION

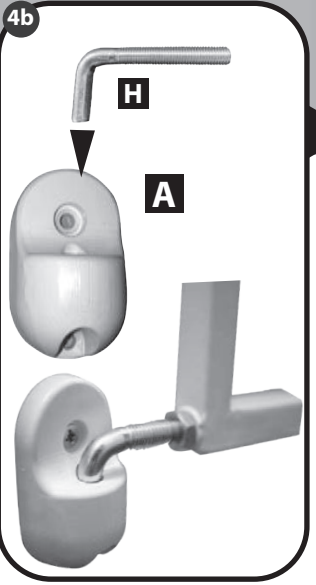
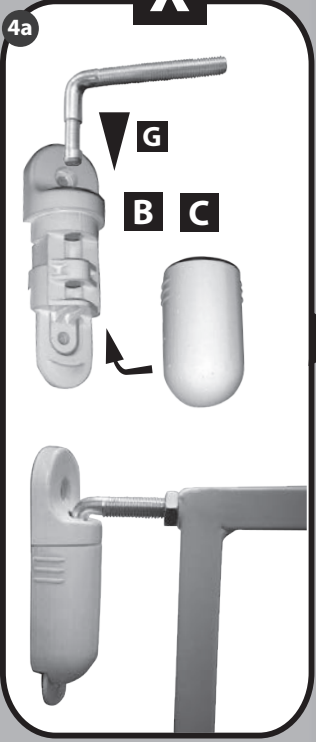
2



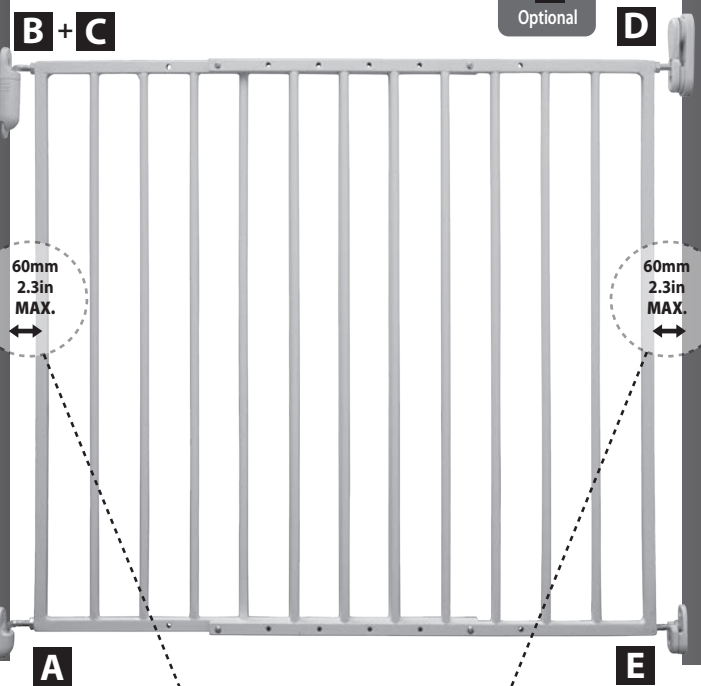
3



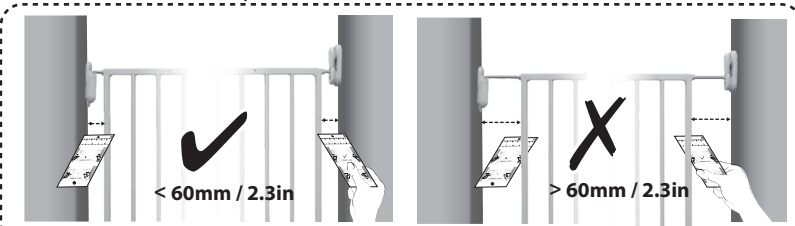
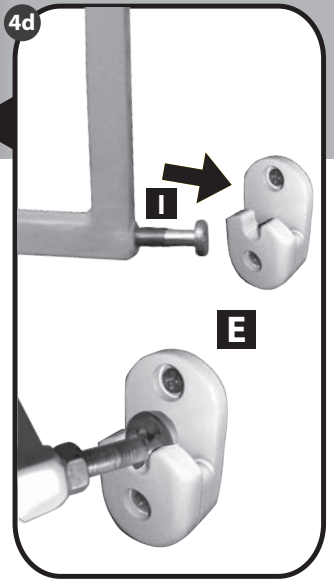
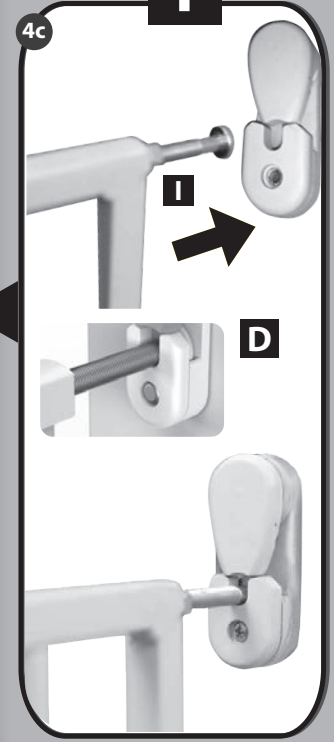
X



68 - 112cm  
26.75 - 44in



Y

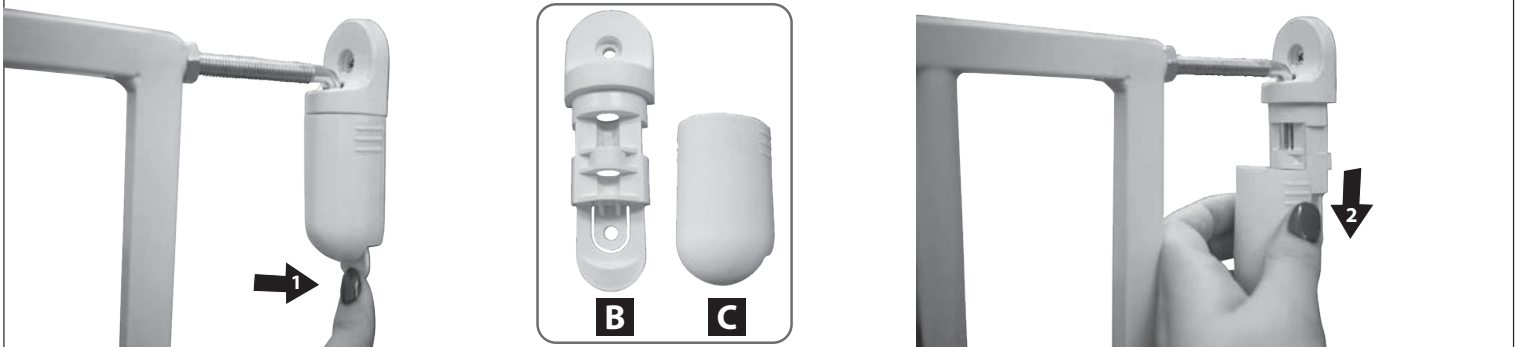


**⚠ WARNING - Prevent Entrapment**  
Use Ruler **N** to ensure gap between outside edge of gate and the wall is LESS THAN 60mm/2.3in. The Ruler SHOULD NOT fit through this gap. If gap is too big, disassemble gate and adjust panels to the next wider setting - Refer INSTALLATION **0**.

## TO OPEN



## TO REMOVE



## MAINTENANCE & CARE

- Gate must be fitted according to instructions, to ensure it works correctly.
- Regularly check brackets, hooks and screws to make sure the gate is securely in place. Adjust as required.
- To clean, wipe surface with a damp cloth or sponge using mild detergent and warm water. Never clean with abrasive, ammonia based bleach based or spirit type cleaners.
- Any additional and replacement parts should be obtained from Tee-Zed Products.



Tee-Zed acknowledges that its customers may be entitled to statutory consumer guarantees and does not seek to exclude or limit them. These guarantees include that Tee-Zed's products are of acceptable quality. This Tee-Zed product is for the specific purpose detailed in the instructions and packaging and Tee-Zed considers use outside of that purpose to be abnormal use. To the maximum extent permitted by law, Tee-Zed does not accept any liability for damage:

- arising from abnormal use of the products;
- caused by installation or removal of the products other than in accordance with the supplied installation and removal instructions; or
- arising under the law of tort or contract.

Dreambaby® products by

**Tee-Zed**

Tee-Zed Products Pty Ltd  
PO Box 2022,  
Bondi Junction NSW 1355  
**Australia**  
☎ +61 (0)2 9386 4000  
✉ info@tee-zed.com.au  
[www.dreambaby.com.au](http://www.dreambaby.com.au)

Tee-Zed Products (NZ) Ltd  
PO Box 64013,  
Botany Town Centre Auckland  
**New Zealand**  
☎ +64 (0)9 274 8788  
✉ info@tee-zed.co.nz  
[www.dreambaby.co.nz](http://www.dreambaby.co.nz)

Tee-Zed Products Ltd  
PO Box 29227,  
Dunfermline, KY12 2DN  
**United Kingdom**  
☎ +44 (0) 844 800 9445  
✉ info@tee-zed.co.uk  
[www.dreambaby.co.uk](http://www.dreambaby.co.uk)

Made in Hangzhou, China

©2020 Tee-Zed Products Pty Ltd

